

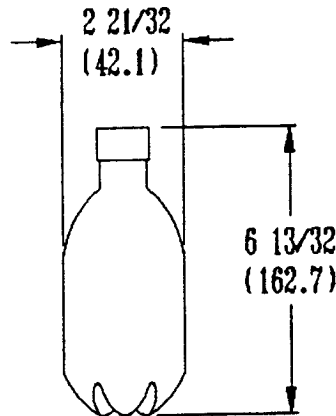
**TOMORROW'S
MANUFACTURING
LEADERSHIP
TODAY**

Technical Bulletin

Bulletin Number: 447 Revision Number: R-02

Release Date: Sept. 28, 1992 Revision Date: March 22, 1993

SUBJECT: 12 oz. PLASTIC NR BOTTLE SHIMMING AND SET UP.



12 oz. PLASTIC NR BOTTLE

MODELS AFFECTED: Models 180, 276, 300, 348, 360, 368, 414, 432, 440, 501, 522 & 600.

REASON: To provide the shimming and set-up for vending the 12 oz. Plastic NR Bottle.

FOR SHIMMING AND SET UP OF:

- A) DNCB 1-1/4" Deeper Shimless Stack Series 90 Venders
See Page 2.

- B) DNCB 501T, 522T and 600T Venders
See Page 3.

SUBJECT: 12 oz. PLASTIC NR BOTTLE

MODELS AFFECTED: All DNCB 1-1/4" Deeper Shimless Stack Series 90 Venders

SERIAL BREAK: 0001-3162AO and up are Series 90 Venders
Exceptions: Production runs 3164, 3166, and 3167 are Pre-Series 90 Venders.

REASON: To provide vending information for the 12 oz. Plastic NR Bottle.

Product can be vended single depth in the above listed models.
To set up vender, do the following for each:

FOR WIDE COLUMN SET-UP & SHIMMING

No shims needed.
Set rear spacer hole #10.
Set adjustable cam to hole #1 or 2 notches.

FOR NARROW COLUMN SET-UP & SHIMMING

No shims needed.
Set rear spacer in hole #10.
Set adjustable cam to hole #4 or 1 notch.

	MODELS							
*CAPACITIES	440	414	368	360	348	276	180	168
Wide Column	35	35	30	30	30	30	18	18
Narrow Column	18	18	16	NA	16	16	NA	10
Total	212	197	184	180	174	138	90	84

SUBJECT: 12 oz. PLASTIC NR BOTTLE

MODELS AFFECTED: Models DNCB 501T, 522T and 600T;
Serialized 0001-2775DI and up (Pre-Series 90)
Serialized 0001-3167AO and up (Series 90)
Serialized 0001-3202DO and up (MPC Series)

REASON: To provide vending information for the 12 oz. Plastic NR Bottle.

Product can be vended double depth in the above listed models.
To set up vender, do the following for each:

FOR WIDE COLUMN SET-UP & SHIMMING

- 1 - 801,804,900.01 Black Ribbed Shim, Left Side
 - 1 - 801,804,890.01 Black Ribbed Shim, Right Side
 - 2 - 801,901,860.01 Flat Black Shims
(One Each Side Per Wide Column)
- Set rear spacer in hole #17.
Set adjustable cam to hole #1 or 4 notches.

FOR NARROW COLUMN SET-UP & SHIMMING

- 1 - 801,201,220.01 Rotor (For venders serialized 0001-6090CQ and Up only)
 - 1 - 361,010,080.43 Bubble Shim, Right Side
 - 1 - 361,010,100.03 Rod & Spring Assy.
- Place rod and spring assembly in hole B of rotor.
Set rear spacer in hole #17.
Set adjustable cam to hole #3 or 2 notches.

	MODELS		
CAPACITIES	501	522	600
Wide Column	56	56	68
Narrow Column	30	NA	36
Total	318	336	384